

BAR64-02V

Low signal distortion, surface mount RF PIN diode



Order now



Technical documents



Simulation



Support

Product description

This Infineon cost optimized RF PIN diode is designed for low distortion switches that require to hold off large RF voltages, and is best suited for frequencies as high as 6 GHz. Its nominal 50 μm I-region width, combined with the typical 1.55 μs carrier lifetime, result in a diode with low forward resistance and low distortion characteristics.



Feature list

- Low signal distortion, charge carrier lifetime $t_{rr} = 1.55 \mu\text{s}$ (typical)
- Ultra low capacitance $C = 0.13 \text{ pF}$ (typical) at voltage $V_R = 0$ and frequencies $f \geq 1 \text{ GHz}$
- Low forward resistance $R_F = 2.1 \Omega$ (typical) at forward current $I_F = 10 \text{ mA}$ and frequency $f = 100 \text{ MHz}$
- Low inductance $L_s = 0.6 \text{ nH}$ (typical)
- Industry standard SC79 package (1.6 mm x 0.8 mm x 0.55 mm)
- Pb-free, RoHS compliant and halogen-free

Product validation

Qualified for industrial applications according to the relevant tests of JEDEC47/20/22.

Potential applications

Optimized for low bias current RF and high-speed interface switches and attenuators

- Wireless communication
- High speed data networks

Device information



Table 1 Part information

Product name / Ordering code	Package	Pin configuration	Marking	Pieces / Reel
BAR64-02V / BAR6402VH6327XTSA1	SC79	Single, with leads	0	3 k

Attention: ESD (Electrostatic discharge) sensitive device, observe handling precautions!

Table of contents

Product description 1

Feature list 1

Product validation 1

Potential applications 1

Device information 1

Table of contents 2

1 Absolute maximum ratings 2

2 Electrical performance in test fixture 3

2.1 DC characteristics 3

2.2 AC characteristics 4

3 Thermal characteristics 9

4 Package information SC79 11

Revision history 12

Disclaimer 13

1 Absolute maximum ratings

Table 2 Absolute maximum ratings at $T_A = 25\text{ °C}$, unless otherwise specified

Parameter	Symbol	Values		Unit	Note or test condition
		Min.	Max.		
Diode reverse voltage	V_R	-	150	V	
Forward current	I_F	-	100	mA	
Total power dissipation	P_{TOT}	-	250	mW	$T_S \leq 125\text{ °C}$ ¹⁾
Junction temperature	T_J	-	150	°C	
Operating temperature	T_{OP}	-55	125		
Storage temperature	T_{STG}	-55	150		

Attention: *Stresses above the maximum values listed here may cause permanent damage to the device. Exposure to absolute maximum rating conditions for extended periods may affect device reliability. Exceeding only one of these values may cause irreversible damage to the component.*

¹ T_S is the soldering point temperature.

Electrical performance in test fixture

2 Electrical performance in test fixture

2.1 DC characteristics

At $T_A = 25\text{ }^\circ\text{C}$, unless otherwise specified

Table 3 DC characteristics

Parameter	Symbol	Values			Unit	Note or test condition
		Min.	Typ.	Max.		
Breakdown voltage	V_{BR}	150	–	–	V	$I_R = 5\text{ }\mu\text{A}$
Reverse current	I_R	–	–	20	nA	$V_R = 20\text{ V}$
Forward voltage	V_F	–	0.82	–	V	$I_F = 10\text{ mA}$
		–	0.9	–		$I_F = 50\text{ mA}$
		–	0.95	1.1		$I_F = 100\text{ mA}$
I-region width	W_I	–	50	–	μm	

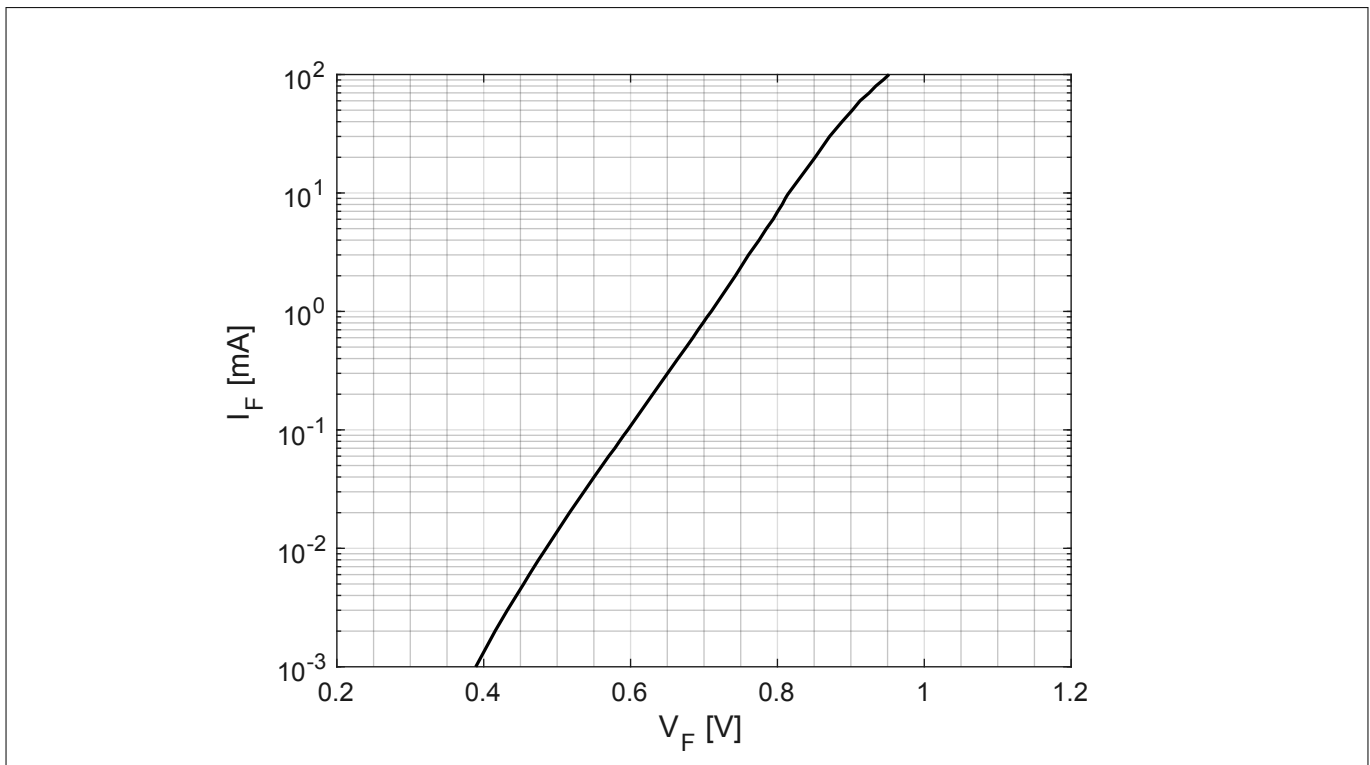


Figure 1 Forward current I_F vs. forward voltage V_F

Electrical performance in test fixture

2.2 AC characteristics

At $T_A = 25\text{ °C}$, unless otherwise specified

Table 4 Key parameter

Parameter	Symbol	Values			Unit	Note or test condition
		Min.	Typ.	Max.		
Capacitance	C	–	0.56	–	pF	$V_R = 0\text{ V}, f = 1\text{ MHz}$
		–	0.2	0.35		$V_R = 20\text{ V}, f = 1\text{ MHz}$
Forward resistance	R_F	–	10.1	20	Ω	$I_F = 1\text{ mA}, f = 100\text{ MHz}$
		–	4.3	–		$I_F = 3\text{ mA}, f = 100\text{ MHz}$
		–	3.1	–		$I_F = 5\text{ mA}, f = 100\text{ MHz}$
		–	2.1	2.8		$I_F = 10\text{ mA}, f = 100\text{ MHz}$
		–	–	1.35		$I_F = 100\text{ mA}, f = 100\text{ MHz}$
Inductance	L_S	–	0.6	–	nH	
Charge carrier lifetime	τ_{rr}	–	1550	–	ns	$I_F = 10\text{ mA}, I_R = 6\text{ mA}$, measured at $I_R = 3\text{ mA}$, $R_L = 100\ \Omega$

Table 5 AC parameter at $f = 1\text{ GHz}$

Parameter	Symbol	Values			Unit	Note or test condition
		Min.	Typ.	Max.		
Capacitance	C	–	0.13	–	pF	$V_R = 0\text{ V}$
Reverse parallel resistance	R_P	–	3.9	–	k Ω	$V_R = 0\text{ V}$
Forward resistance	R_F	–	9.6	–	Ω	$I_F = 1\text{ mA}$
		–	4.3	–		$I_F = 3\text{ mA}$
		–	3.1	–		$I_F = 5\text{ mA}$
		–	2.2	–		$I_F = 10\text{ mA}$
Insertion loss	I_L	–	0.79	–	dB	$I_F = 1\text{ mA}$
		–	0.37	–		$I_F = 3\text{ mA}$
		–	0.28	–		$I_F = 5\text{ mA}$
		–	0.2	–		$I_F = 10\text{ mA}$
Isolation	I_{SO}	–	22.4	–		$V_R = 0\text{ V}$

Table 6 AC parameter at $f = 1.8\text{ GHz}$

Parameter	Symbol	Values			Unit	Note or test condition
		Min.	Typ.	Max.		
Capacitance	C	–	0.12	–	pF	$V_R = 0\text{ V}$
Reverse parallel resistance	R_P	–	3.3	–	k Ω	$V_R = 0\text{ V}$

Electrical performance in test fixture

Table 6 AC parameter at $f = 1.8$ GHz (continued)

Parameter	Symbol	Values			Unit	Note or test condition
		Min.	Typ.	Max.		
Forward resistance	R_F	-	9.6	-	Ω	$I_F = 1$ mA
		-	4.3	-		$I_F = 3$ mA
		-	3.2	-		$I_F = 5$ mA
		-	2.3	-		$I_F = 10$ mA
Insertion loss	I_L	-	0.8	-	dB	$I_F = 1$ mA
		-	0.39	-		$I_F = 3$ mA
		-	0.3	-		$I_F = 5$ mA
		-	0.23	-		$I_F = 10$ mA
Isolation	I_{SO}	-	17.7	-		$V_R = 0$ V

Table 7 AC parameter at $f = 2.5$ GHz

Parameter	Symbol	Values			Unit	Note or test condition
		Min.	Typ.	Max.		
Capacitance	C	-	0.12	-	pF	$V_R = 0$ V
Reverse parallel resistance	R_P	-	3	-	k Ω	$V_R = 0$ V
Forward resistance	R_F	-	9.7	-	Ω	$I_F = 1$ mA
		-	4.4	-		$I_F = 3$ mA
		-	3.3	-		$I_F = 5$ mA
		-	2.4	-		$I_F = 10$ mA
Insertion loss	I_L	-	0.82	-	dB	$I_F = 1$ mA
		-	0.42	-		$I_F = 3$ mA
		-	0.33	-		$I_F = 5$ mA
		-	0.26	-		$I_F = 10$ mA
Isolation	I_{SO}	-	15.1	-		$V_R = 0$ V

Table 8 AC parameter at $f = 5.5$ GHz

Parameter	Symbol	Values			Unit	Note or test condition
		Min.	Typ.	Max.		
Insertion loss	I_L	-	1.03	-	dB	$I_F = 1$ mA
		-	0.64	-		$I_F = 3$ mA
		-	0.56	-		$I_F = 5$ mA
		-	0.49	-		$I_F = 10$ mA
Isolation	I_{SO}	-	7.7	-		$V_R = 0$ V

Electrical performance in test fixture

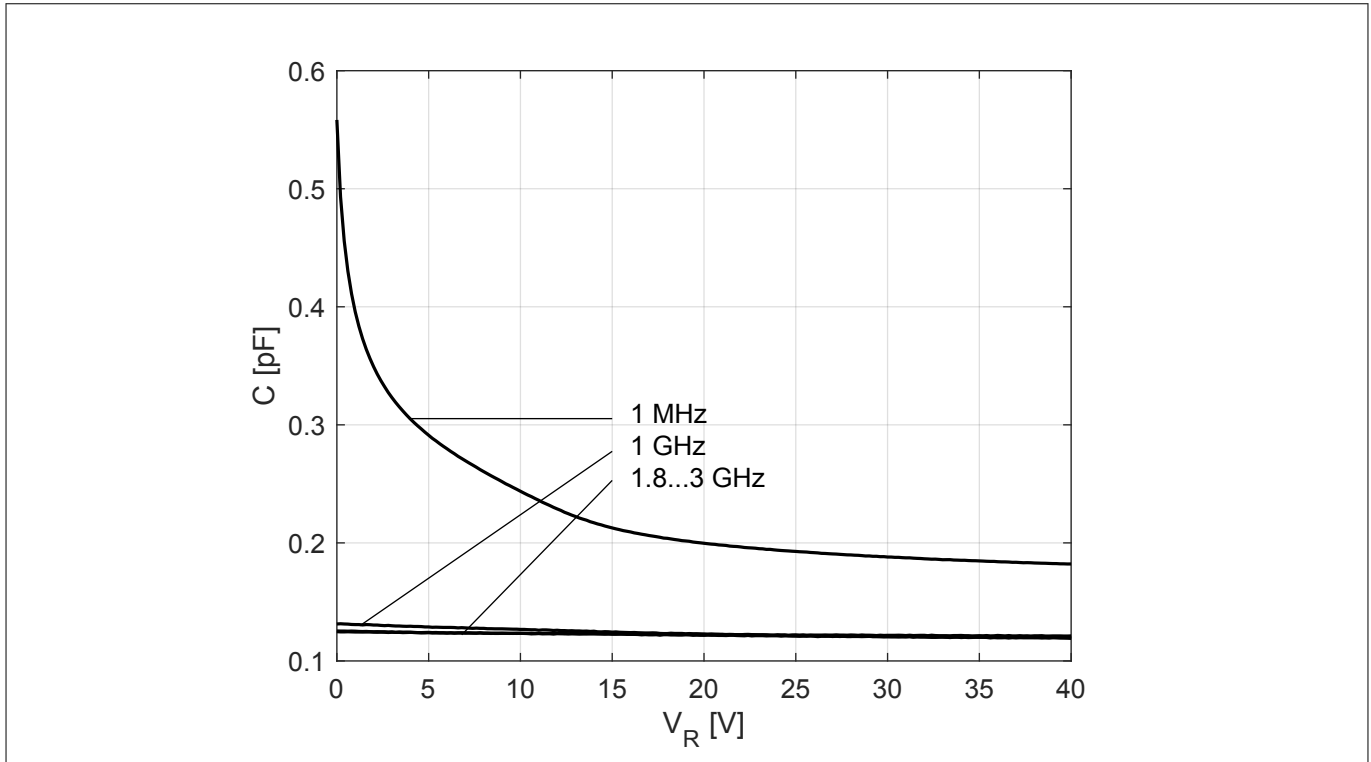


Figure 2 Capacitance C vs. reverse voltage V_R at different frequencies

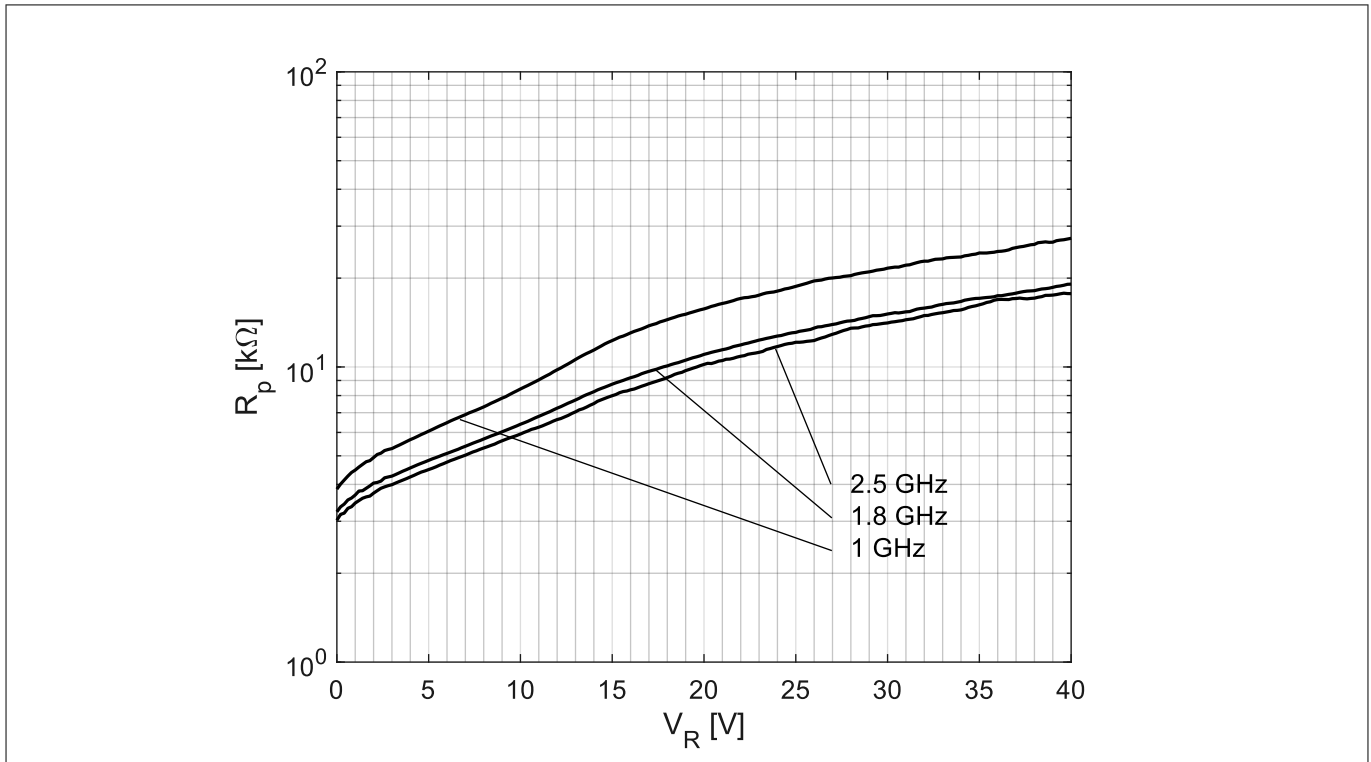


Figure 3 Reverse parallel resistance R_p vs. reverse voltage V_R at different frequencies

Electrical performance in test fixture

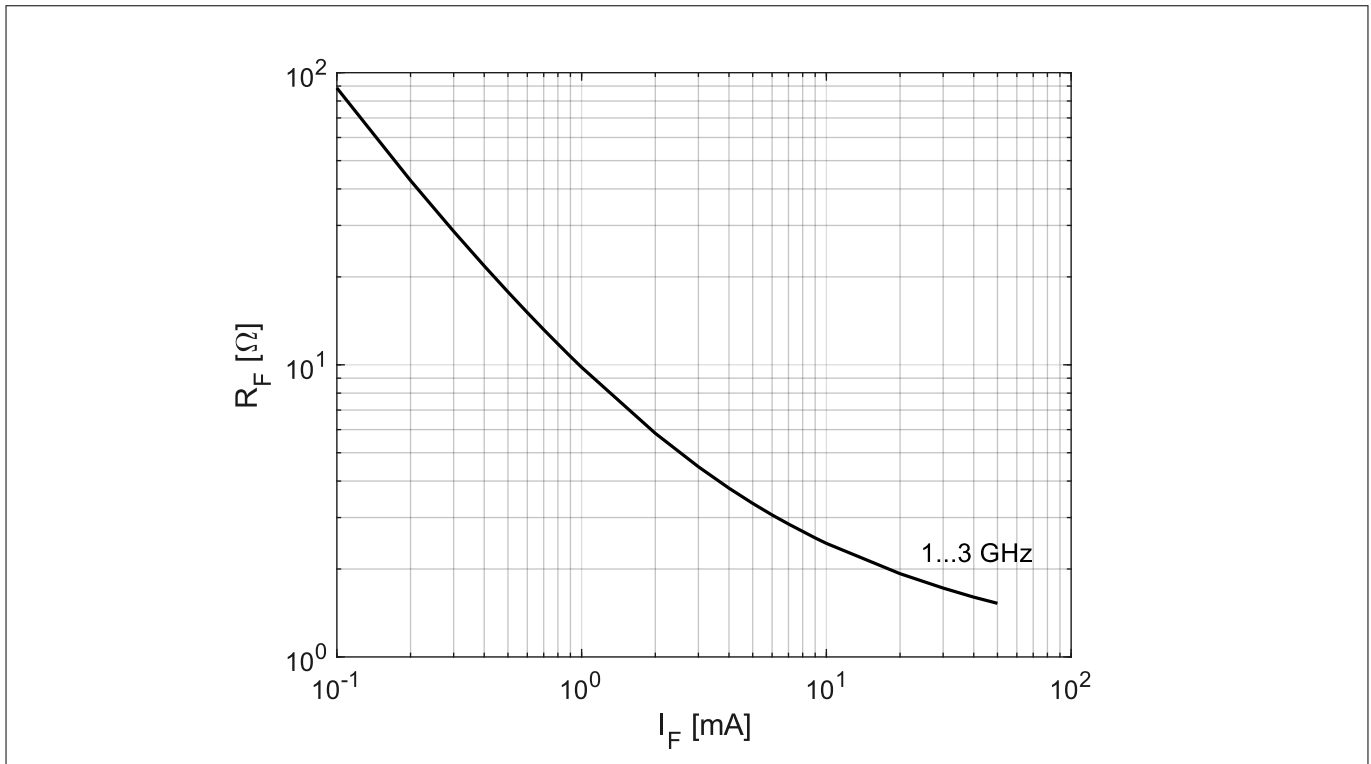


Figure 4 Forward resistance R_F vs. forward current I_F at different frequencies

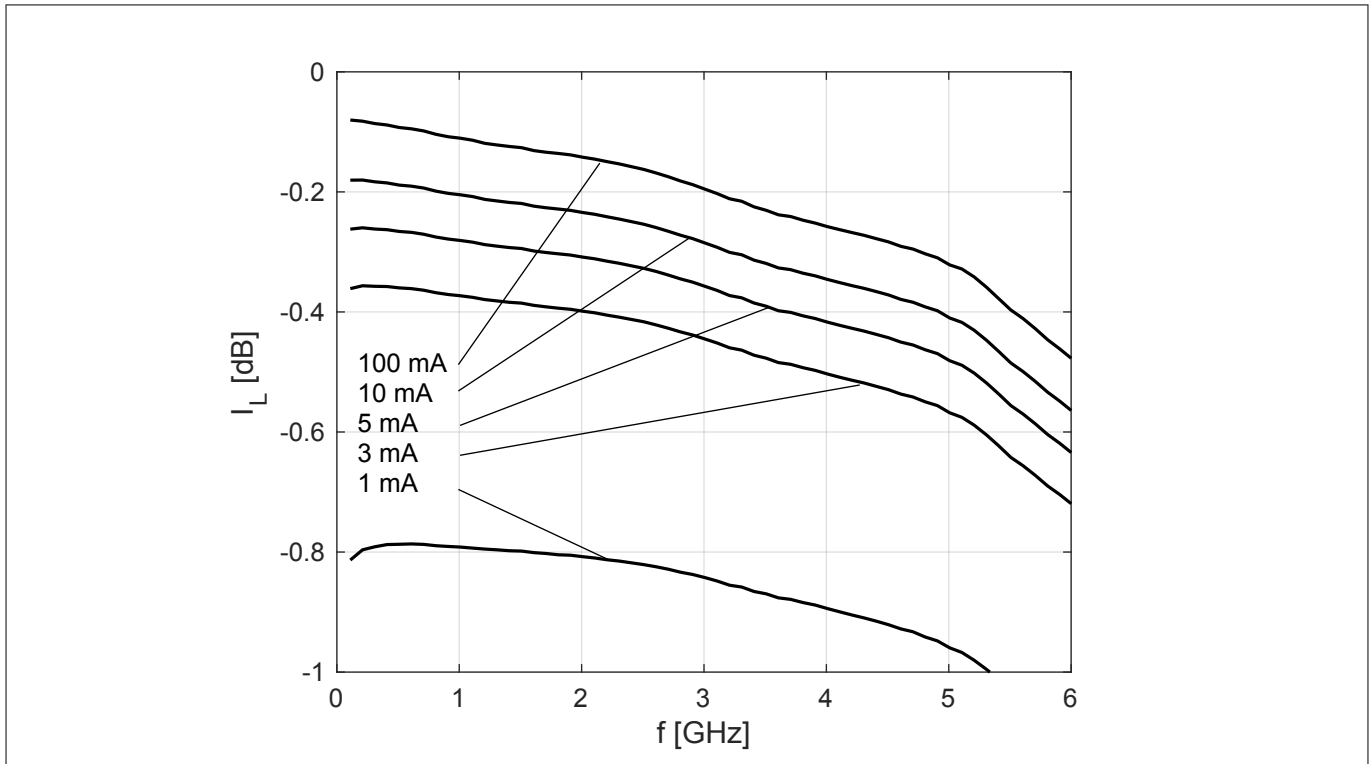


Figure 5 Insertion loss I_L vs. frequency f at different forward currents

Electrical performance in test fixture

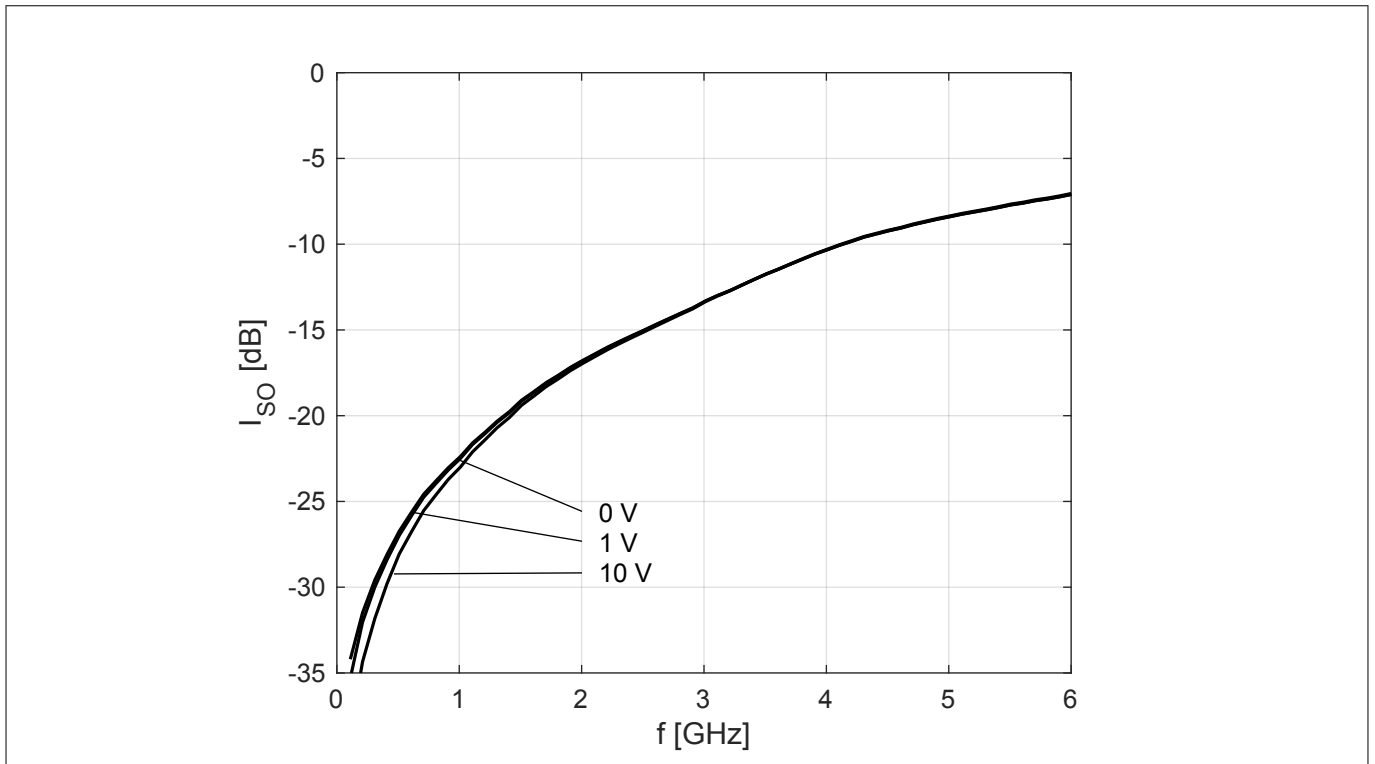


Figure 6 Isolation I_{SO} vs. frequency f at different reverse voltages

Note: The curves shown in this chapter have been generated using typical devices but shall not be understood as a guarantee that all devices have identical characteristic curves.

Thermal characteristics

3 Thermal characteristics

Table 9 Thermal resistance

Parameter	Symbol	Values			Unit	Note or test condition
		Min.	Typ.	Max.		
Thermal resistance (junction - soldering point)	R_{thJS}	-	100	-	K/W	$T_S = 125\text{ °C}$ ²⁾

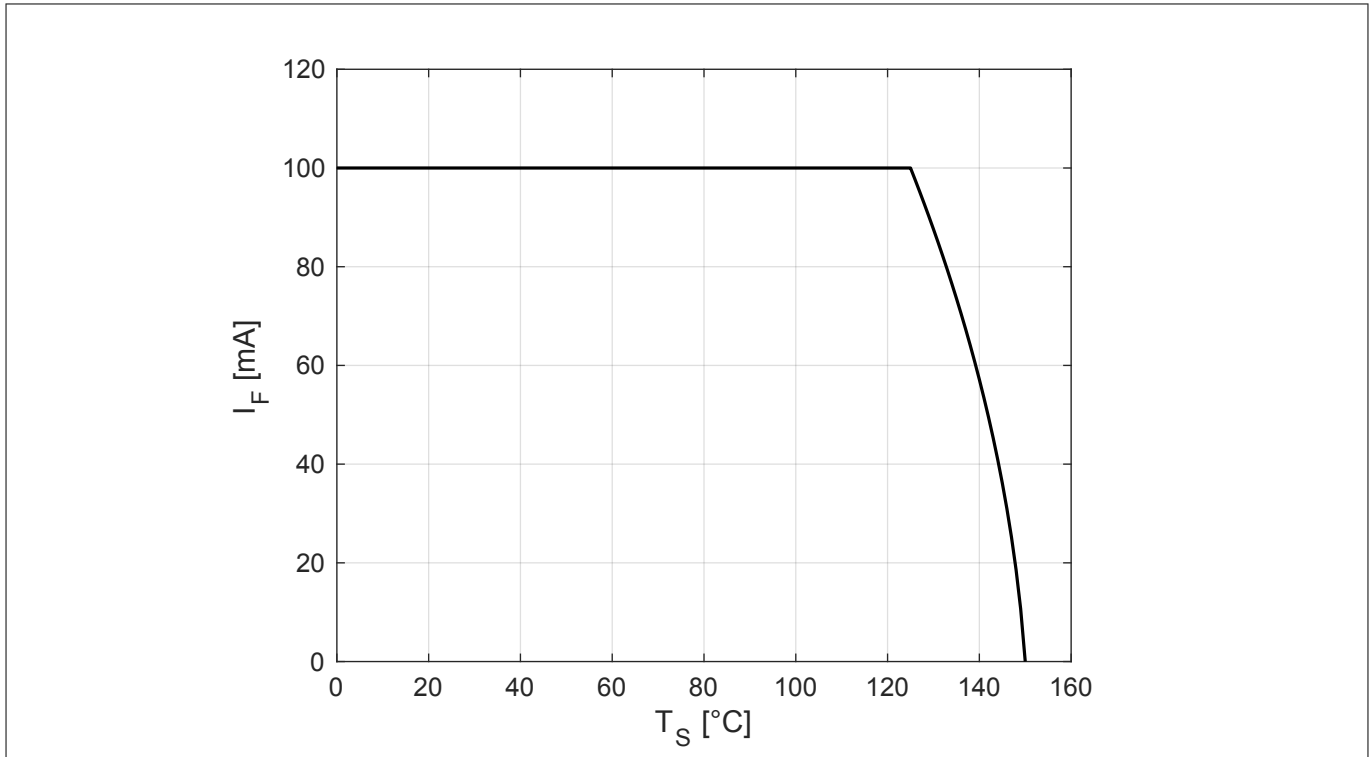


Figure 7 Permissible forward current I_F in DC operation

² For R_{thJS} in other conditions refer to the curves in this chapter.

Thermal characteristics

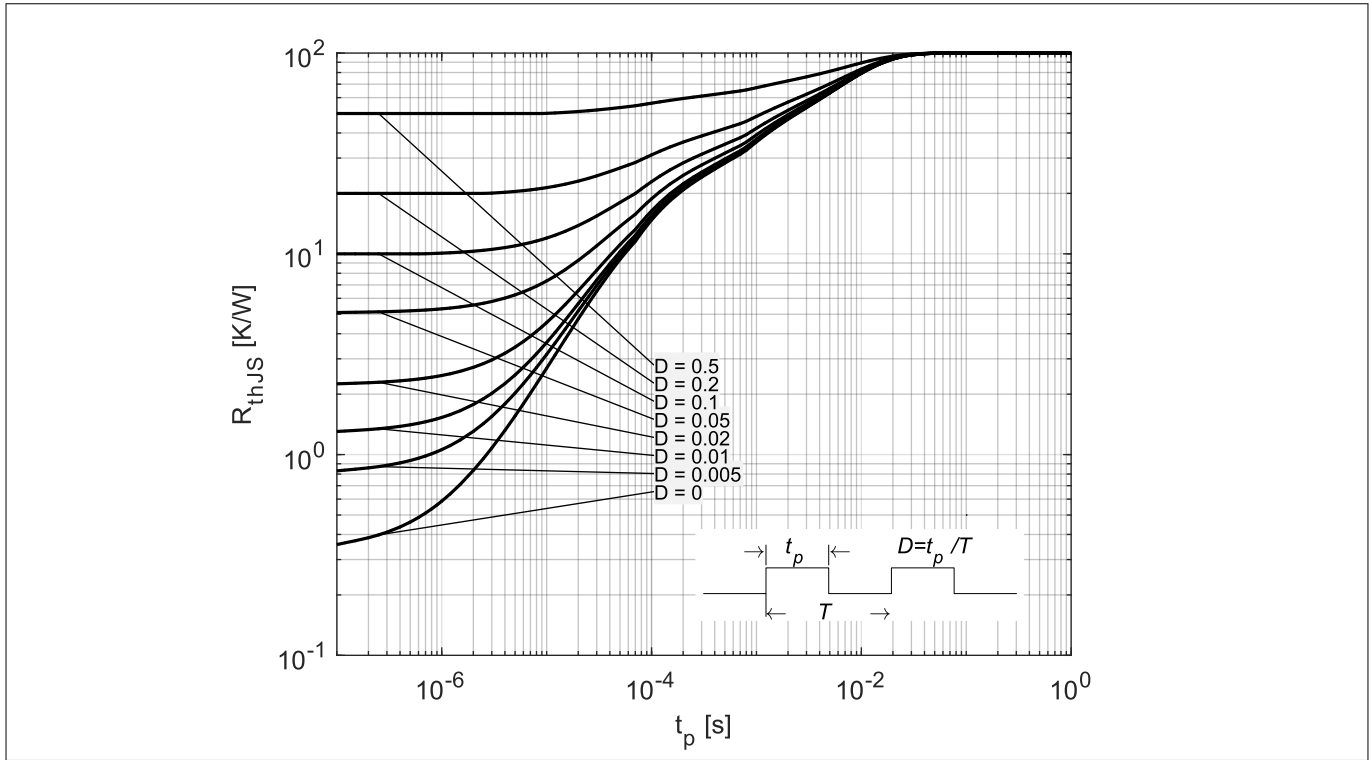


Figure 8 Thermal resistance R_{thJS} in pulse operation

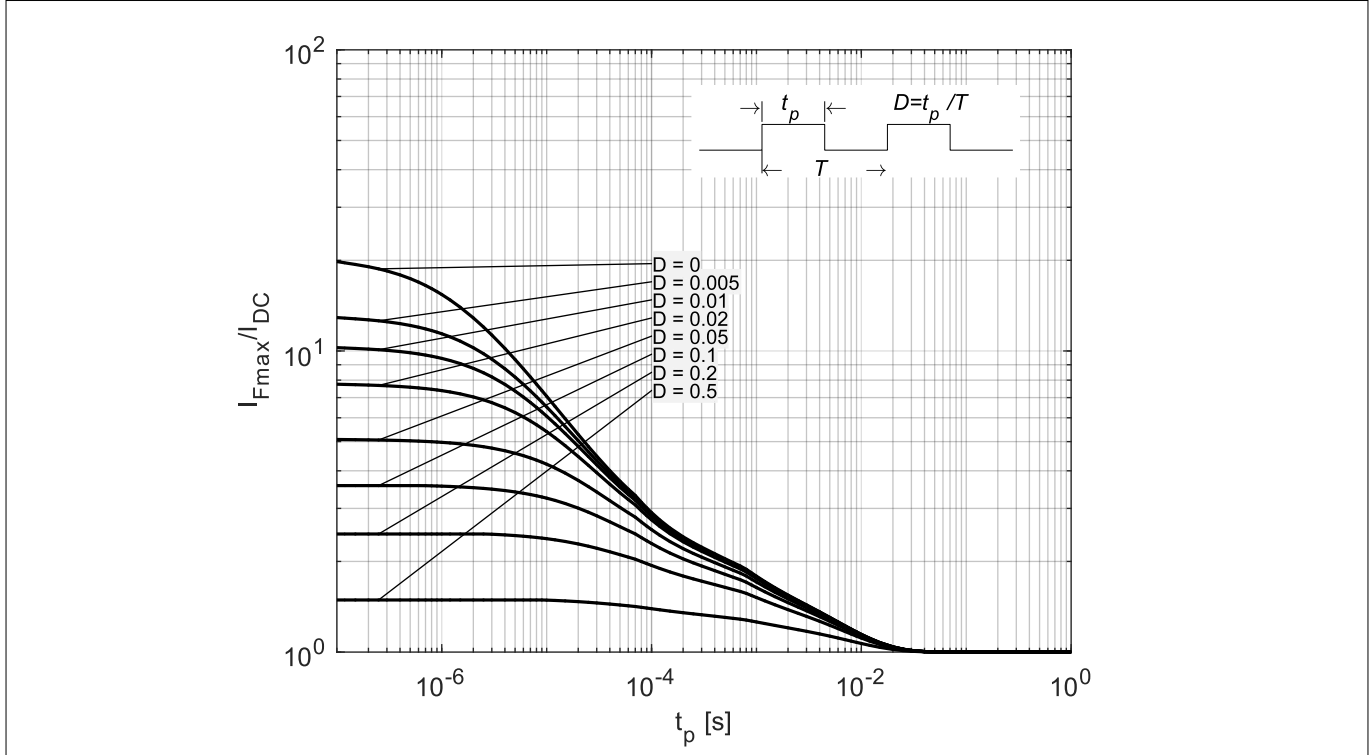


Figure 9 Permissible forward current ratio I_{Fmax} / I_{DC} in pulse operation

Package information SC79

4 Package information SC79

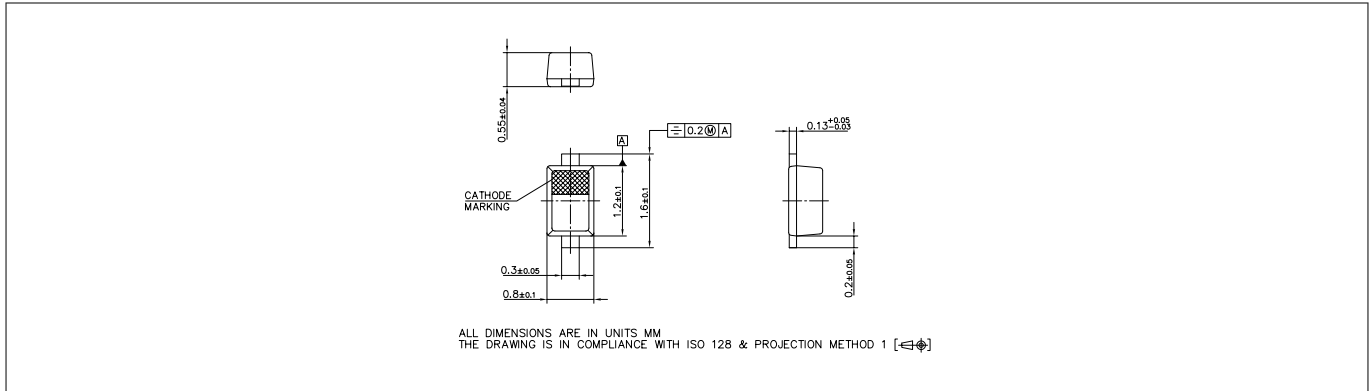


Figure 10 Package outline

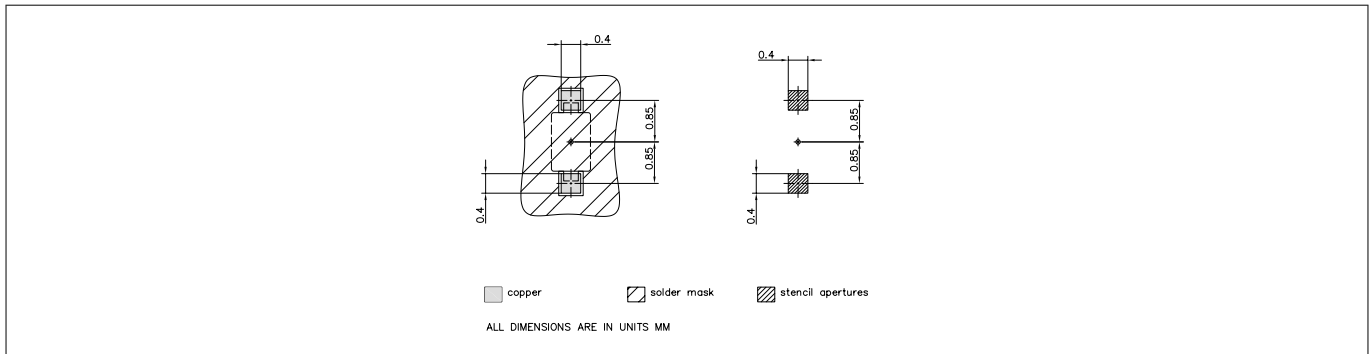


Figure 11 Foot print

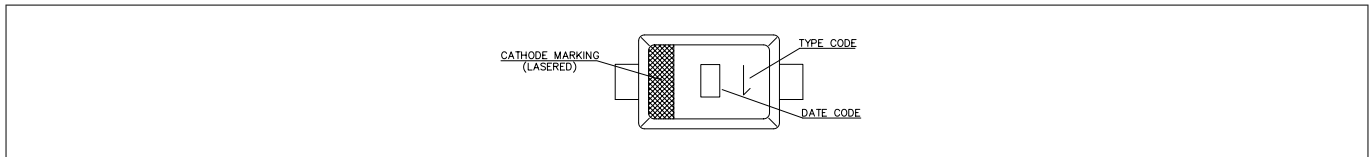


Figure 12 Marking layout

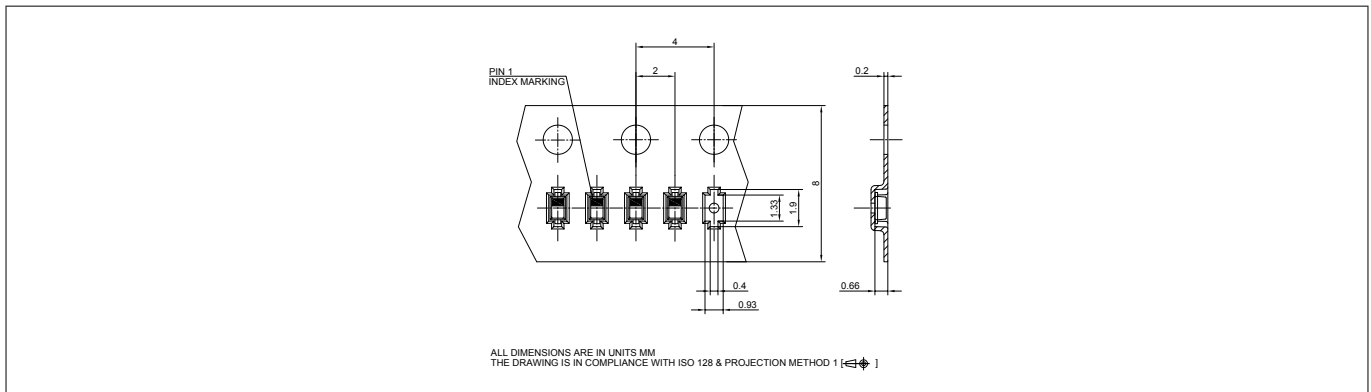


Figure 13 Tape dimensions

Revision history

Revision history

Document version	Date of release	Description of changes
1.0	2018-09-07	<ul style="list-style-type: none">• Change from series datasheet to individual one• Initial release of datasheet• Typical values and curves updated to the values of the production (No product or process change behind)• Maximum/typical values added• Typical curves/values removed
1.1	2019-01-21	Product description, feature list and potential application section reworked